

SINGER

457G145

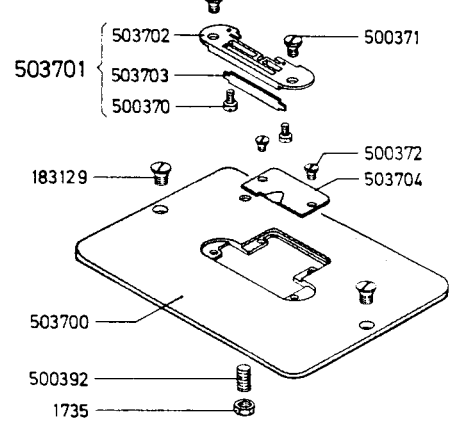
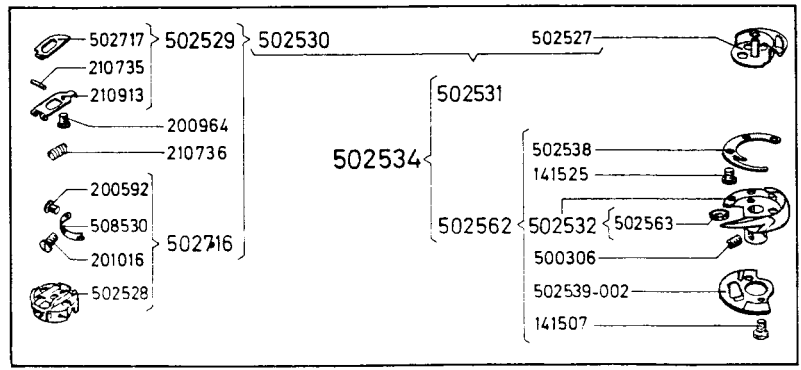
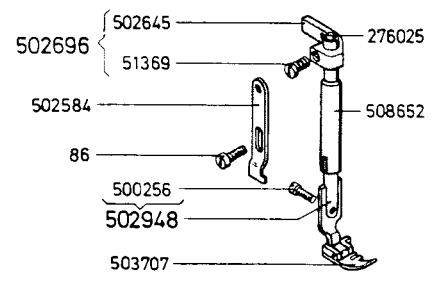
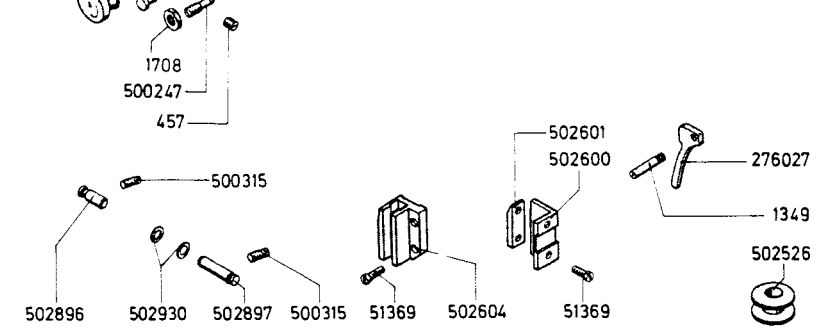
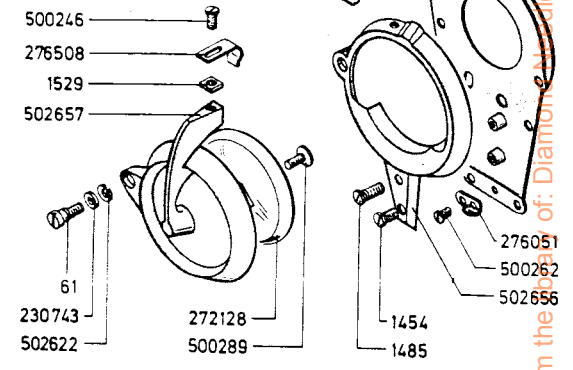
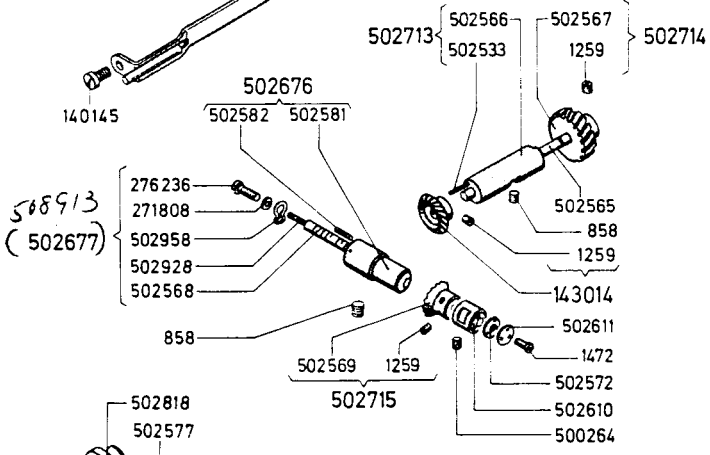
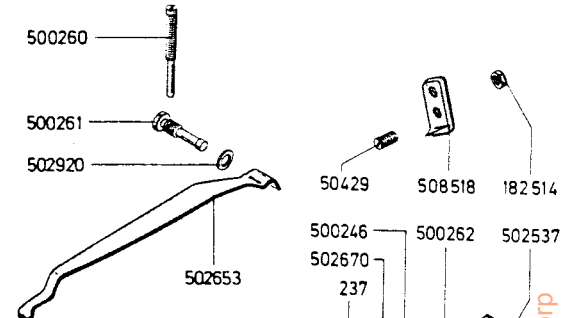
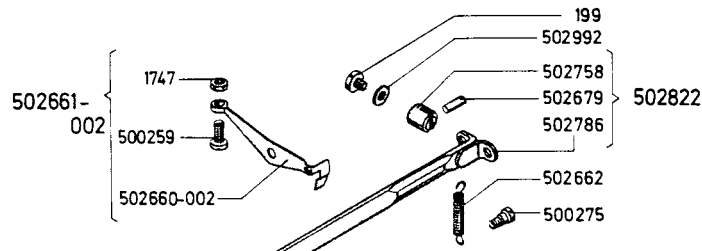
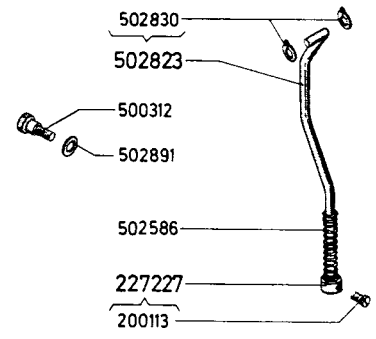
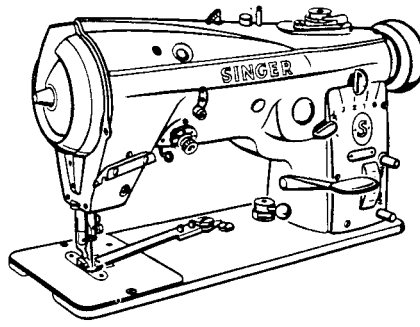
SINGER

ILLUSTRATED
PARTS LIST

FORM-NO. 30-366 G

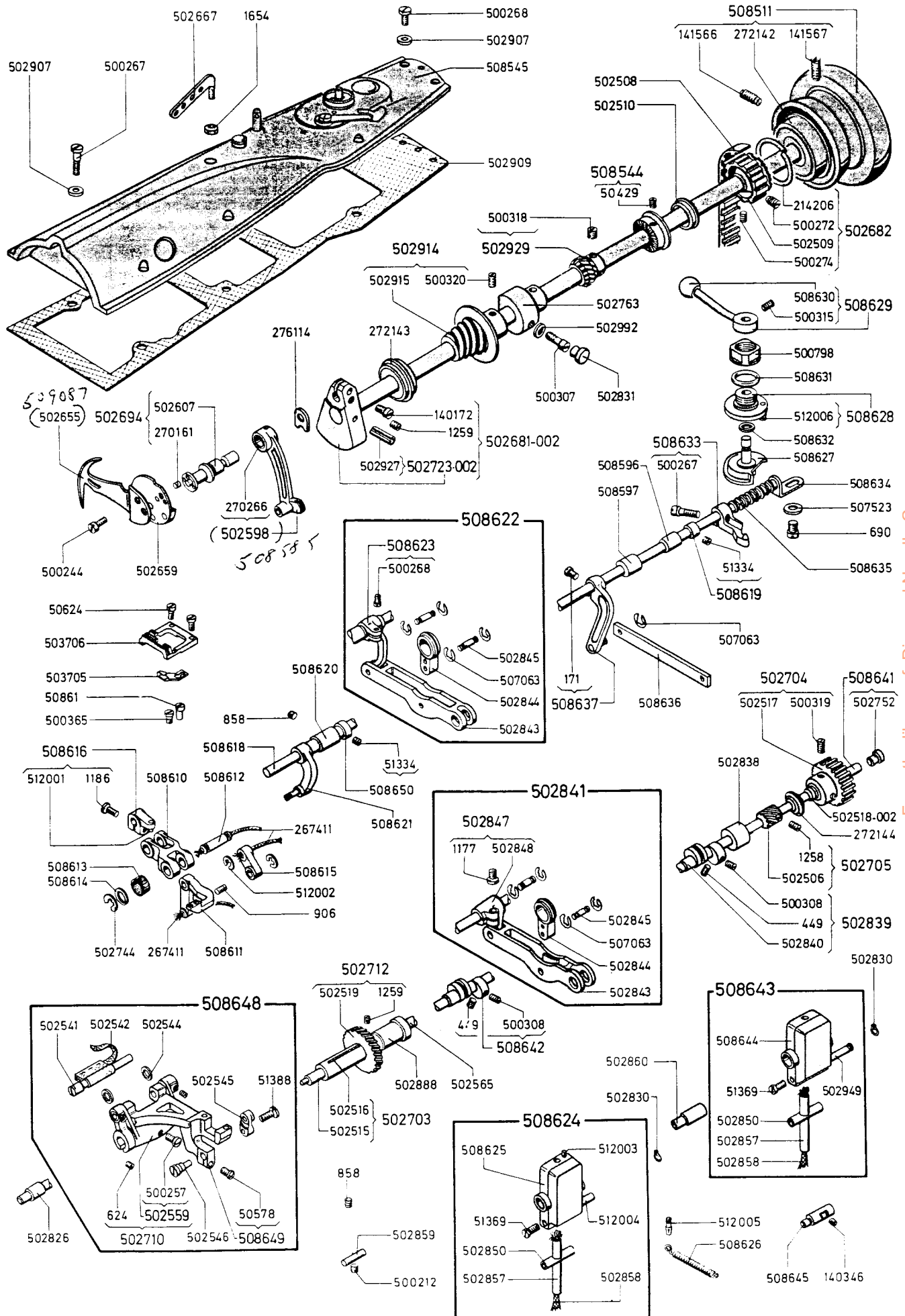
(668/965)

FOR MACHINE 457 G 145

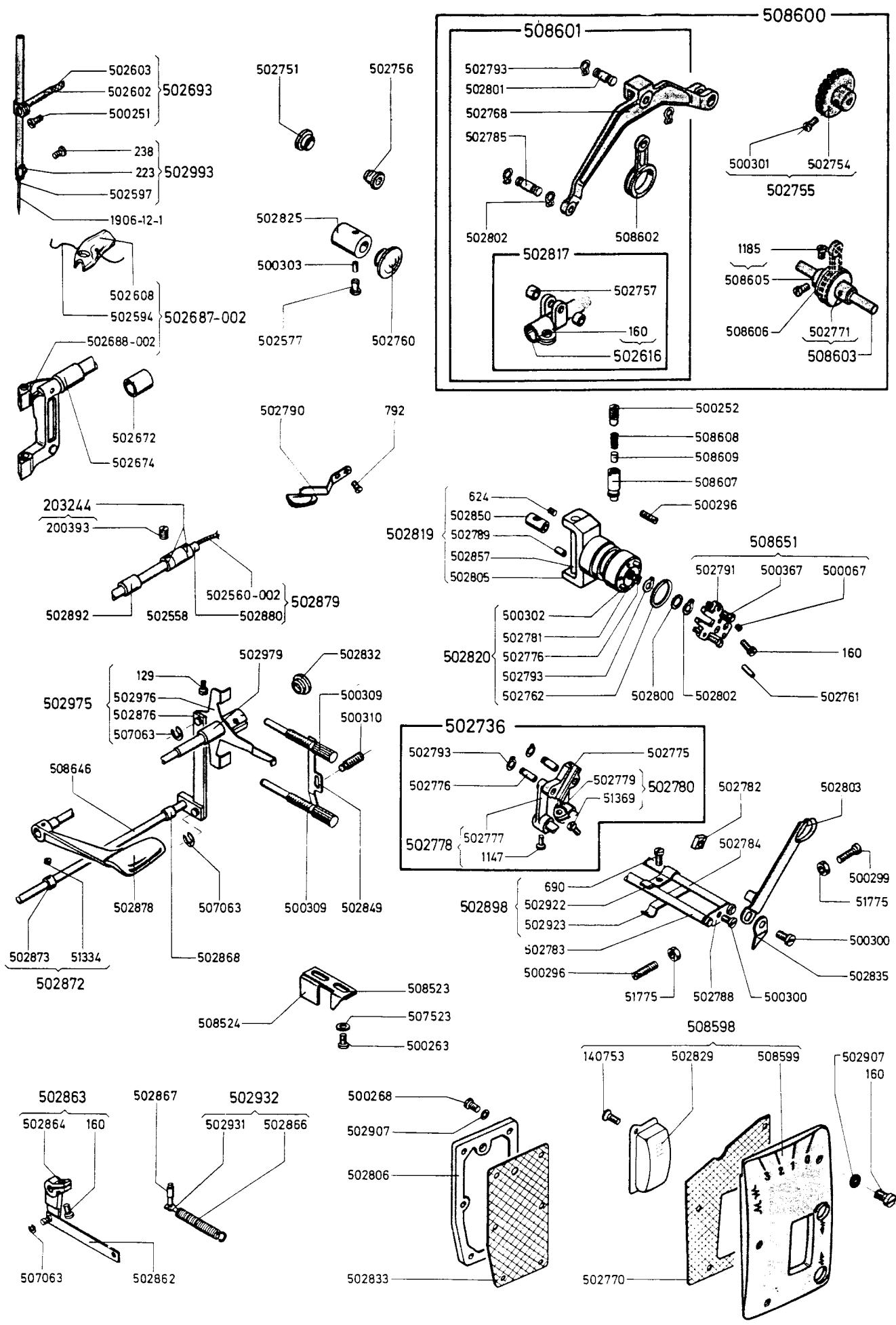


From the factory of: Diamond Trade Corp

PART NO.	DESCRIPTION	PART NO.	DESCRIPTION
502998	KNEE LIFTER CONTROL SHAFT CRANK	508606	NEEDLE VIBRATING MECHANISM DISC
502998	KNEE LIFTER ROCK SHAFT CRANK	508607	NEEDLE POSITION ADJUSTING ECCENTRIC
502999	KNEE LIFTER ROCK SHAFT CPL. 502589, 502998, 508302	508608	REGULATING STUD
503000	KNEE LIFTER CONTROL SHAFT GRIP RING	508609	NEEDLE POSITION ADJUSTING ECCENTRIC
503669	WRENCH 15/64 INCH HEXAGON	508610	PRESSURE SPRING
503700	THROAT PLATE	508611	NEEDLE POSITION ADJUSTING ECCENTRIC SPRING PIN
503701	THROAT PLATE INSERT CPL. 503702, 503703, TWO 500370	508612	KNIFE DESCENDING LEVER
503702	THROAT PLATE INSERT	508613	KNIFE DRIVING PITMAN
503703	KNIFE CPL. (LOWER)	508614	KNIFE DRIVING PITMAN CONNECTION SHAFT
503704	KNIFE DRIVING COVER PLATE	508615	KNIFE DESCENDING LEVER NEEDLE CAGE (2)
503705	KNIFE CPL. (UPPER)	508616	KNIFE DESCENDING LEVER WASHER (2)
503706	FEED DOG	508617	KNIFE DRIVING CONNECTION LINK
503707	PRESSER FOOT (HINGED)	508618	KNIFE DESCENDING PINCH LEVER (FRONT) CPL. 1186, 512001
503709	QUILTER GUIDE CPL. 503710, 503711, TWO EACH 511501 AND 512008	508619	KNIFE ECCENTRIC STUD
503710	QUILTER GUIDE	508620	KNIFE REGULATING SHAFT
503711	QUILTER GUIDE BAR	508621	KNIFE REGULATING SHAFT COLLAR CPL. 51334
503712	QUILTER GUIDE WASHER	508622	KNIFE DRIVING SHAFT (HOLLOW) BUSHING
503713	QUILTER GUIDE ECCENTRIC DISC	508623	KNIFE DRIVING SHAFT (HOLLOW)
503720	PRESSER FOOT (HINGED)	508624	KNIFE DRIVING CONNECTION CPL. 502843, 502844, 508623, TWO 502845, FOUR 507063
507063	KNIFE DRIVING CONNECTION HINGE PIN RETAINER (4)	508625	KNIFE DRIVING CONNECTION CRANK WITH 500266
507063	KNIFE REGULATING CONNECTION SHAFT CRANK LINK RETAINER	508626	KNIFE REGULATING FRAME CPL. 51369, 502850, 502857, 502858, 508623, 512003, 512004
507063	FEED DRIVING CONNECTION LEVER HINGE PIN RETAINER (4)	508627	KNIFE REGULATING FRAME
507063	FEED REGULATING CONNECTION SHAFT CRANK LINK RETAINER	508628	KNIFE REGULATING FRAME TENSION SPRING
507063	FEED REGULATING SHAFT INDICATOR LEVER CONNECTING LINK STUD RETAINER	508629	TRIPPING SEGMENT
507523	KNIFE REGULATING STOP PLATE SPRING WASHER	508630	TRIPPING SEGMENT BEARING CPL. 512006
507523	FEED DRIVING CONNECTION CARRIER FRAME STOP SCREW WASHER (2)	508631	TRIPPING SEGMENT ACTUATING LEVER CPL. 500315, 508630
507574	BOBBIN WINDER SHAFT BUSHING (ECCENTRIC) LINK STUD LOCKING WASHER (2)	508632	TRIPPING SEGMENT ACTUATING LEVER BALL KNOB
508302	KNEE LIFTER CONTROL SHAFT CRANK PIN	508633	TRIPPING SEGMENT BEARING SEAL
508302	KNEE LIFTER ROCK SHAFT CRANK PIN	508634	KNIFE REGULATING CONNECTION SHAFT CRANK LINK
508301	KNEE LIFTER ROCK SHAFT CONNECTION	508635	KNIFE REGULATING CONNECTION SHAFT CRANK CPL. (7)
508302	KNEE LIFTER ROCK SHAFT CONNECTION GRIP RING (2)	508636	KNIFE DRIVING COVER PLATE
508503	MACHINE BASE AND OIL RESERVOIR GASKET	508639	KNIFE DRIVING COVER PLATE SUPPORT PRESSURE SPRING
508505	OIL FILTER WITH OIL FILTER MOUNTING SUPPORT	508640	OIL RETURN TUBE PLUG
508511	MACHINE PULLEY CPL. 141566, 141567, 272142	508641	BEI SHAFT CPL. 502752
508514	OIL DISTRIBUTOR PLATE	508642	KNIFE DRIVING ECCENTRIC CPL. 449, 500308
508518	THREAD CUTTER ON FACE PLATE	508643	FEED DRIVING CONNECTION CARRIER FRAME CPL. 51369, 502850, 502857, 502858, 502949, 508644
508520	FEED DRIVING CONNECTION CARRIER FRAME STOP (BACK)	508644	FEED DRIVING CONNECTION CARRIER FRAME
508524	FEED DRIVING CONNECTION CARRIER FRAME STOP (FRONT)	508645	FEED DRIVING CONNECTION CARRIER FRAME BEARING STUD (CENTER)
508530	BOBBIN CASE TENSION SPRING	508646	FEED REGULATING CONNECTING SHAFT WITH 500266
508544	BOBBIN WINDER DRIVING WHEEL CPL. TWO 50429	502648	FEED DRIVING ROCK SHAFT CRANK CPL. 51386, 502541, 502542, 502545, 502546, 502710, 508649, TWO 502544
508545	ARM COVER (TOP) WITH BOBBIN WINDER CPL. 50429, 500280, 502832, 508546, 508547, 508555 TO 508560, 508562 TO 508565, TWO EACH 500361, 508561	508649	FEED BAR WITH 50076
508546	ARM COVER (TOP)	508650	KNIFE DRIVING SHAFT (HOLLOW) COLLAR CPL. 51334
508547	BOBBIN WINDER SHAFT BUSHING (ECCENTRIC) WITH FRICTION WHEEL CPL. 508548, 508550 TO 508554, TWO 507574	508651	NEEDLE POSITION ADJUSTING ECCENTRIC SLIDE BLOCK BRACKET CPL. 502791, TWO EACH 500067, 500367
508548	BOBBIN WINDER SHAFT BUSHING (ECCENTRIC) CPL. 508549	508652	PRESSER BAR BUSHING
508549	BOBBIN WINDER SHAFT BUSHING (ECCENTRIC) ROLLER CLUTCH	508674	ARM HEAD OIL DRAIN WICK GUARD
508550	BOBBIN WINDER SHAFT	511501-865	QUILTER GUIDE SCREW (2)
508551	BOBBIN WINDER SHAFT FRICTION WHEEL CPL. TWO 50429	512001	KNIFE DESCENDING PINCH LEVER TAPER PIN
508552	BOBBIN WINDER SHAFT BUSHING (ECCENTRIC) CONNECTION LEVER	512002	KNIFE DRIVING CONNECTION LINK LOCK WASHER (2)
508553	BOBBIN WINDER SHAFT BUSHING (ECCENTRIC) SPRING SHACKLE	512003	KNIFE REGULATING FRAME PIN
508554	BOBBIN WINDER SHAFT BUSHING (ECCENTRIC) LINK STUD	512004	KNIFE REGULATING FRAME PIN
508555	BOBBIN WINDER SHAFT BUSHING (ECCENTRIC) SNAP RING	512005	KNIFE REGULATING FRAME TENSION SPRING PIN
508556	BOBBIN WINDER SHAFT BUSHING (ECCENTRIC) THREAD GUARD	512006	TRIPPING SEGMENT BEARING TAPER PIN
508557	BOBBIN WINDER SHAFT BUSHING (ECCENTRIC) COIL SPRING	512007	KNIFE DRIVING COVER PLATE SUPPORT PIN
508558	BOBBIN WINDER SHAFT BUSHING (ECCENTRIC) COIL SPRING STUD	512008	QUILTER GUIDE WASHER (2)
508559	ARM COVER (TOP) ROCKING LEVER CPL.	512021	ROTARY TAKE-UP GUARD COVER WINDOW SCREW SPRING WASHER
508560	ARM COVER (TOP) TRIP LEVER		
508561	ARM COVER (TOP) STOP PIN (2)		
508562	ARM COVER (TOP) THREAD GUIDE STUD		
508563	ARM COVER (TOP) THREAD TENSION STUD		
508564	ARM COVER (TOP) THREAD TENSION STUD SPRING		
508565	ARM COVER (TOP) THREAD TENSION STUD DISC		
508596	KNIFE REGULATING SHAFT BUSHING		
508597	KNIFE DRIVING SHAFT (HOLLOW) BUSHING		
508598	ARM COVER (FRONT) CPL. 502829, 508599, TWO 140753		
508599	ARM COVER (FRONT)		
508600	NEEDLE VIBRATING MECHANISM CPL. 502755, 508601, 506603, 508605, 508606		
508601	NEEDLE BAR YOKE CONNECTING LINK CPL. 502768, 502785, 502801, 502817, 508602, TWO EACH 502793, 502802		
508602	NEEDLE VIBRATING ECCENTRIC CONNECTING LINK		
508603	NEEDLE VIBRATING ECCENTRIC SHAFT CPL. 502771		
508605	NEEDLE VIBRATING MECHANISM COLLAR CPL. TWO 1185		

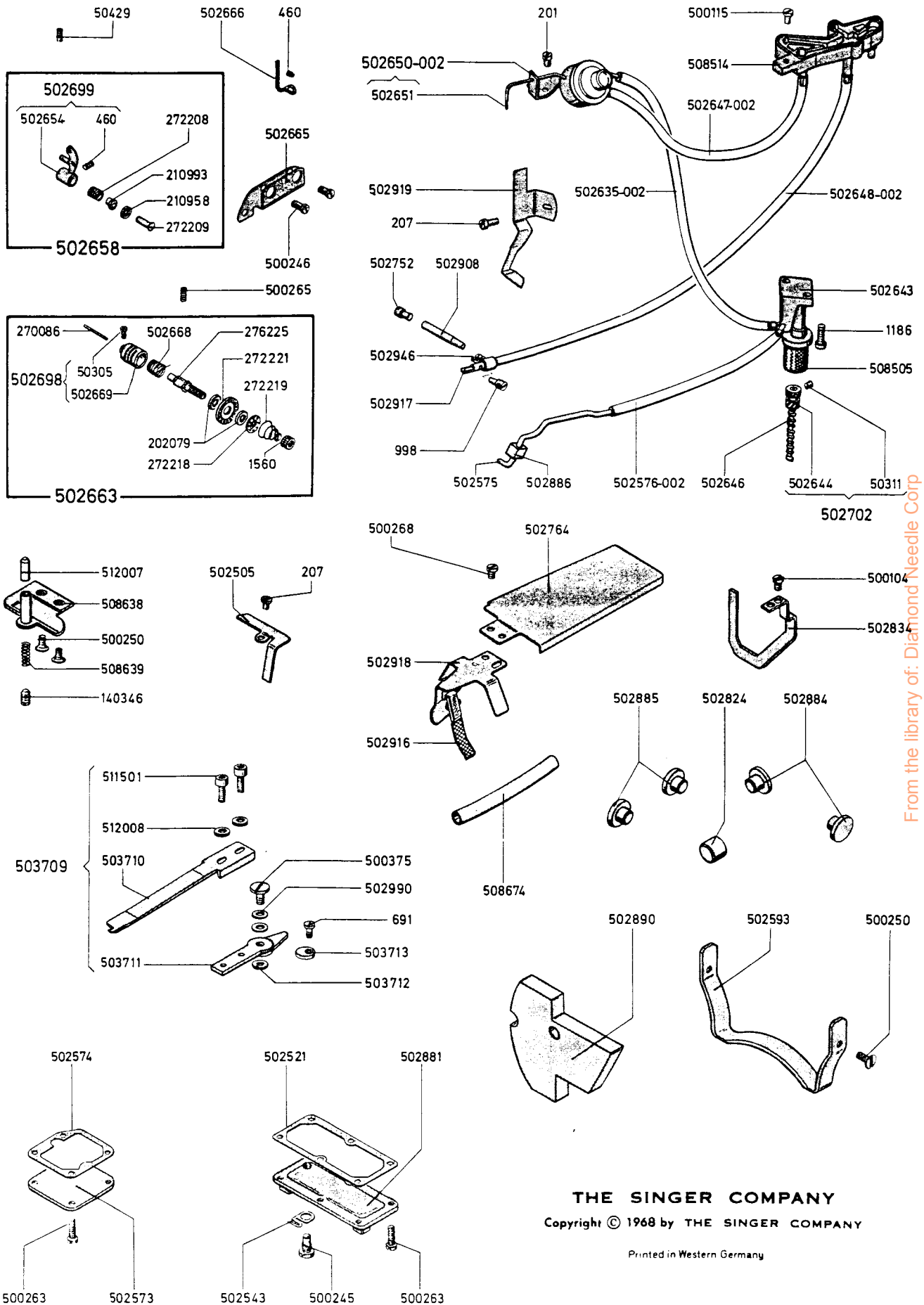


PART NO.	DESCRIPTION	PART NO.	DESCRIPTION
502754	NEEDLE VIBRATING ECCENTRIC SHAFT GEAR	502849	FEED REGULATING SHAFT INDICATOR STOP SCREW
502755	NEEDLE VIBRATING ECCENTRIC SHAFT GEAR CPL. 502754, TWO 500301		RETAINING SPRING
502756	NEEDLE VIBRATING ECCENTRIC SHAFT BUSHING (BACK)	502850	NEEDLE BAR YOKE CONNECTING LINK SLIDE BEARING
502757	NEEDLE BAR YOKE CONNECTING LINK HINGE BEARING BUSHING (2)	502850	KNIFE REGULATING FRAME SLIDE BEARING
502758	KNEE LIFTER ROCK FRAME HINGE STUD	502850	FEED DRIVING CONNECTION LEVER SLIDE BEARING
502760	NEEDLE VIBRATING ECCENTRIC SHAFT BUSHING (FRONT) PLUG	502857	NEEDLE BAR YOKE CONNECTING LINK CARRIER FRAME SLIDE STUD
502761	NEEDLE POSITION ADJUSTING ECCENTRIC SLIDE BLOCK BRACKET PIN (2)	502857	KNIFE REGULATING FRAME SLIDE STUD
502762	NEEDLE POSITION ADJUSTING ECCENTRIC BUSHING (SMALL) SNAP RING (2)	502857	FEED DRIVING CONNECTION CARRIER FRAME SLIDE STUD
502763	ARM SHAFT BUSHING (CENTER)	502858	KNIFE REGULATING FRAME SLIDE STUD WICK
502764	OIL GUARD	502858	FEED DRIVING CONNECTION CARRIER FRAME SLIDE STUD OIL WICK
502768	NEEDLE BAR YOKE CONNECTING LINK	502859	FEED DRIVING CONNECTION CARRIER FRAME BEARING STUD (LEFT)
502770	ARM COVER (FRONT) GASKET	502860	FEED DRIVING CONNECTION CARRIER FRAME BEARING STUD (RIGHT)
502771	NEEDLE VIBRATING ECCENTRIC COMPOUND SPLIT PIN	502862	FEED REGULATING CONNECTION SHAFT CRANK LINK
502775	NEEDLE VIBRATING ADJUSTING BRACKET	502863	FEED REGULATING CONNECTION SHAFT CRANK CPL. 160, 502864
502776	NEEDLE VIBRATING ADJUSTING BRACKET STUD (2)	502864	FEED REGULATING CONNECTION SHAFT CRANK
502776	NEEDLE POSITION ADJUSTING ECCENTRIC BUSHING (SMALL) SLIDE BLOCK STUD	502866	FEED DRIVING CONNECTION CARRIER FRAME SPRING
502777	NEEDLE VIBRATING ADJUSTING GUIDE CRANK	502867	FEED DRIVING CONNECTION CARRIER FRAME SPRING STUD
502778	NEEDLE VIBRATING ADJUSTING GUIDE CRANK CPL. 1147, 502777	502868	FEED REGULATING CONNECTION SHAFT BUSHING
502779	NEEDLE VIBRATING ADJUSTING CRANK	502872	FEED REGULATING CONNECTION SHAFT COLLAR CPL. 502873, TWO 51334
502780	NEEDLE VIBRATING ADJUSTING CRANK CPL. 51369, 502779	502873	FEED REGULATING CONNECTION SHAFT COLLAR
502781	NEEDLE POSITION ADJUSTING ECCENTRIC SLIDE BLOCK	502876	FEED REGULATING SHAFT INDICATOR LEVER CONNECTING LINK
502782	NEEDLE VIBRATING ADJUSTING BRACKET SLIDE BLOCK	502878	FEED REGULATING SHAFT
502783	NEEDLE VIBRATING ADJUSTING GUIDE CRANK SHAFT	502879	FEED DRIVING ROCK SHAFT CPL. 502560-002, 502880
502784	NEEDLE VIBRATING ADJUSTING CRANK SHAFT	502880	FEED DRIVING ROCK SHAFT
502785	NEEDLE BAR YOKE CONNECTING LINK HINGE BEARING STUD	502881	BED SHAFT GEAR BOX COVER
502786	KNEE LIFTER ROCK FRAME	502882	MACHINE BASE AND OIL RESERVOIR CPL. 500329, 502799
502788	NEEDLE VIBRATING ADJUSTING SHAFT RETAINER	502883	MACHINE BASE AND OIL RESERVOIR WITH KNEE LIFTER CPL. 226364, 502585, 502587-002, 502606, 502720, 502882, 502937, 502987, 502994, 502996, 502999, 503000, 508501, 508503, TWO 508502
502789	NEEDLE BAR YOKE CONNECTING LINK CARRIER FRAME STUD	502884	BED SPACER (FRONT AND RIGHT SIDE) (2)
502790	NEEDLE POSITION ADJUSTING LEVER	502885	BED SPACER (REAR) (2)
502791	NEEDLE POSITION ADJUSTING ECCENTRIC SLIDE BLOCK BRACKET	502886	HOOK SHAFT GEAR BOX OIL PIPE HOLDER
502793	NEEDLE BAR YOKE CONNECTING LINK HINGE BEARING STUD SNAP RING (2)	502888	BED SHAFT BUSHING (CENTER)
502793	NEEDLE VIBRATING ADJUSTING BRACKET STUD SNAP RING (2)	502890	ARM OIL SHIELD (AERATED PLASTIC)
502793	NEEDLE POSITION ADJUSTING ECCENTRIC BUSHING (SMALL) SLIDE BLOCK STUD SNAP RING	502891	SINGLE LIGHT STUD HOLE SCREW PLUG GASKET
502799	MACHINE BASE AND OIL RESERVOIR DRAIN PLUG SCREW GASKET	502892	FEED DRIVING ROCK SHAFT BUSHING (CENTER)
502800	NEEDLE BAR YOKE CONNECTING LINK CARRIER FRAME DISC SPRING	502896	NEEDLE BAR YOKE GUIDE (REAR)
502801	NEEDLE BAR YOKE CONNECTING LINK HINGE BEARING STUD	502897	NEEDLE BAR YOKE GUIDE (FRONT)
502802	NEEDLE BAR YOKE CONNECTING LINK HINGE BEARING STUD SNAP RING (2)	502898	NEEDLE VIBRATING ADJUSTING SHAFT CLAMPING BRACKET CPL. 690, 502922, 502923
502802	NEEDLE BAR YOKE CONNECTING LINK CARRIER FRAME SNAP RING	502907	ARM COVER (BACK) SCREW GASKET RING (6)
502803	NEEDLE VIBRATING ADJUSTING LEVER	502907	ARM COVER (TOP) SCREW (LONG) GASKET RING (2)
502805	NEEDLE BAR YOKE CONNECTING LINK CARRIER FRAME	502907	ARM COVER (TOP) SCREW (SHORT) GASKET RING (2)
502806	ARM COVER (BACK)	502907	ARM COVER (FRONT) SCREW GASKET RING (3)
502811	ARM COVER (TOP)	502908	BED SHAFT BUSHING (CENTER) OIL TUBE
502817	NEEDLE BAR YOKE CONNECTING LINK HINGE BEARING CPL. 502616, TWO 502757	502909	ARM COVER (TOP) GASKET
502818	HOOK GEAR BOX VENT CAP	502914	ARM HEAD OIL DRAIN WICK SLINGER CPL. 502915, TWO 500320
502819	NEEDLE BAR YOKE CONNECTING LINK CARRIER FRAME CPL. 502789, 502805, 502850, 502857, TWO 624	502915	ARM HEAD OIL DRAIN WICK SLINGER
502820	NEEDLE POSITION ADJUSTING ECCENTRIC CPL. 502776, 502781, 502793, TWO EACH 500302, 502762	502916	ARM HEAD OIL DRAIN WICK
502822	KNEE LIFTER ROCK FRAME CPL. 502679, 502758, 502786	502917	OIL RETURN TUBE
502823	KNEE LIFTER LIFTING ROD WITH TWO 502830	502918	ARM HEAD OIL DRAIN WICK CLAMP (UPPER)
502824	HOOK DRIVING SHAFT PLUG (FOR UN-USED BED HOLE)	502919	ARM HEAD OIL DRAIN WICK CLAMP (BACK)
502825	NEEDLE VIBRATING ECCENTRIC SHAFT BUSHING (FRONT)	502920	PRESSER BAR SPRING SCREW STUD GASKET
502826	FEED DRIVING ROCK SHAFT BUSHING (FRONT)	502922	NEEDLE VIBRATING ADJUSTING SHAFT (UPPER) CLAMPING BRACKET
502829	STITCH LENGTH INDICATOR PLATE	502923	NEEDLE VIBRATING ADJUSTING SHAFT (LOWER) CLAMPING BRACKET
502830	KNEE LIFTER LIFTING ROD GRIP RING (2)	502926	ARM SHAFT OIL SLINGER AND PINION SPACER CPL. 460, 502511-002
502830	KNIFE REGULATING FRAME PIN GRIP RING	502927	ARM SHAFT AND NEEDLE BAR CRANK PIN
502830	FEED DRIVING CONNECTION CARRIER FRAME SPRING STUD GRIP RING	502928	HOOK SHAFT OIL FILTER FELT WICK
502831	ARM SHAFT BUSHING (CENTER) SCREW PLUG	502929	NEEDLE VIBRATING PINION CPL. TWO 500318
502832	ARM COVER (TOP) PLUG	502930	NEEDLE BAR YOKE GUIDE SEAL (FRONT AND REAR) (2)
502832	FEED REGULATING SHAFT PLUG (FOR UN-USED HOLE)	502931	FEED DRIVING CONNECTION CARRIER FRAME SPRING RETAINER
502833	ARM COVER (BACK) GASKET	502932	FEED DRIVING CONNECTION CARRIER FRAME SPRING CPL. 502866, 502931
502834	ARM OIL SHIELD (AERATED PLASTIC) RETAINER	502935	FEED REVERSING FOOT CONTROL LEVER PIN COLLAR
502835	NEEDLE VIBRATING ADJUSTING LEVER OIL GUIDE	502937	FEED REVERSING FOOT CONTROL LEVER PIN
502838	BED SHAFT BUSHING (BACK)	502946	OIL RETURN TUBE (LOWER) (LONG) CLAMP
502839	FEED DRIVING ECCENTRIC CPL. 449, 500308, 502840	502948	PRESSER BAR WITH PRESSER FOOT SCREW CPL. 500256
502840	FEED DRIVING ECCENTRIC	502949	FEED DRIVING CONNECTION CARRIER FRAME SPRING STUD
502841	FEED DRIVING CONNECTION CPL. 502843, 502844, 502847, TWO 502845, FOUR 507063	502958	HOOK SHAFT SNAP RING
502843	KNIFE DRIVING CONNECTION LEVER	502975	FEED REGULATING SHAFT INDICATOR CPL. 129, 502876, 502976, 507063
502844	FEED DRIVING CONNECTION LEVER	502976	FEED REGULATING SHAFT INDICATOR LEVER
502844	KNIFE DRIVING CONNECTION LINK	502979	FEED REGULATING SHAFT SPACER
502844	FEED DRIVING CONNECTION LINK	502987	FEED REVERSING PLUNGER HOLE PLUG (FOR UN-USED HOLE)
502845	KNIFE DRIVING CONNECTION HINGE PIN (2)	502990	QUILTER GUIDE SPRING WASHER (2)
502845	FEED DRIVING CONNECTION LEVER HINGE PIN (2)	502992	ARM SHAFT BUSHING (CENTER) SCREW GASKET RING
502847	FEED DRIVING CONNECTION CRANK CPL. 1177, 502848	502992	KNEE LIFTER ROCK FRAME HINGE STUD LOCK
502848	FEED DRIVING CONNECTION CRANK	502993	SCREW GASKET RING
		502994	NEEDLE BAR CPL. 223, 238, 502597
		502996	KNEE LIFTER ROCK SHAFT SPACER
		502997	KNEE LIFTER CONTROL SHAFT CPL. 500271, 500785, 502997, 502998, 508302
		502997	KNEE LIFTER CONTROL SHAFT



PART NO.	DESCRIPTION	PART NO.	DESCRIPTION
500267-850	KNIFE TRIPPING SEGMENT PINCH LEVER SCREW	502577	HOOK SHAFT GEAR BOX PLUG
500268-850	ARM COVER (BACK) SCREW (6)	502581	HOOK SHAFT PRESSURE BUSHING
500268-850	ARM COVER (TOP) SCREW (SHORT) (2)	502582	HOOK SHAFT PRESSURE BUSHING OIL WICK
500268-850	OIL GUARD SCREW (2)	502583	KNEE LIFTER KNEE PLATE ARM
500268-850	KNIFE DRIVING CONNECTION CRANK SCREW	502584	KNEE LIFTER LIFTING LINK
500271-833	KNEE LIFTER CONTROL SHAFT CRANK STOP SCREW	502586	KNEE LIFTER LIFTING ROD SPRING
500272-830	ARM SHAFT CONNECTION BELT PULLEY SET SCREW	502587-002	KNEE LIFTER PLUNGER
500274-830	ARM SHAFT CONNECTION BELT PULLEY POSITION SCREW	502589	KNEE LIFTER ROCK SHAFT
500275-850	TENSION RELEASE HINGE SCREW	502591	KNEE LIFTER ROCK SHAFT HUB
500280-850	ARM COVER (TOP) TRIP LEVER FASTENING SCREW	502593	MACHINE LEG (REAR)
500296-833	NEEDLE VIBRATING ADJUSTING LEVER STOP SCREW (LEFT)	502594	NEEDLE BAR OIL FELT CORD
500296-833	NEEDLE POSITION ADJUSTING ECCENTRIC REGULATING STUD SET SCREW	502597	NEEDLE BAR THREAD GUIDE
500299-850	NEEDLE VIBRATING ADJUSTING LEVER STOP SCREW (RIGHT)	502598	NEEDLE BAR CONNECTING LINK CPL. 270266
500300-850	NEEDLE VIBRATING ADJUSTING SHAFT RETAINER SCREW	502600	NEEDLE BAR CONNECTING LINK GUIDE BLOCK
500300-850	NEEDLE VIBRATING ADJUSTING LEVER SCREW	502601	NEEDLE BAR CONNECTING LINK CLAMPING PLATE
500301-850	NEEDLE VIBRATING ECCENTRIC SHAFT GEAR SET SCREW (2)	502602	NEEDLE BAR CONNECTING STUD
500302-803	NEEDLE POSITION ADJUSTING ECCENTRIC STOP SCREW (2)	502603	NEEDLE BAR CONNECTING STUD OIL WICK
500303-869	NEEDLE VIBRATING ECCENTRIC SHAFT BUSHING (FRONT) SET SCREW	502604	NEEDLE BAR CONNECTING STUD GUIDE BLOCK
500306-869	HOOK SET SCREW (2)	502606	FEED REVERSING FOOT CONTROL LEVER PIN COLLAR CPL. 50150, 502935
500307-850	ARM SHAFT BUSHING (CENTER) SCREW	502607	NEEDLE BAR CRANK STUD
500308-830	FEED DRIVING ECCENTRIC POSITION SCREW	502608	NEEDLE BAR OIL FELT
500308-830	KNIFE DRIVING ECCENTRIC POSITION SCREW	502610	HOOK SHAFT BUSHING (FRONT)
500309-850	FEED REGULATING SHAFT INDICATOR STOP SCREW (2)	502611	HOOK SHAFT BUSHING CAP
500310-833	FEED REGULATING SHAFT INDICATOR STOP SCREW RETAINING SPRING SCREW	502616	NEEDLE BAR YOKE CONNECTING LINK HINGE BEARING WITH 160
500312-850	SINGER LIGHT STUD HOLE SCREW PLUG (FOR UN-USED HOLE)	502622	ROTARY TAKE-UP GUARD HINGE SCREW SPRING WASHER
500315-830	NEEDLE BAR YOKE GUIDE SET SCREW (2)	502635-002	OIL DELIVERY TUBE
500315-833	TRIPPING SEGMENT ACTUATING LEVER SET SCREW	502641	MACHINE BASE AND OIL RESERVOIR STATIC GROUNDING CONTACT
500316-830	NEEDLE VIBRATING PINION SET SCREW (2)	502642	MACHINE BASE AND OIL RESERVOIR STATIC GROUNDING CONTACT WIRE
500319-869	BED CONNECTION BELT PULLEY SET SCREW (2)	502643	OIL PUMP BODY
500320-830	ARM HEAD OIL DRAIN WICK SLINGER SET SCREW (2)	502644	OIL PUMP GEAR
500329-850	MACHINE BASE AND OIL RESERVOIR DRAIN PLUG SCREW	502645	PRESSER BAR POSITION GUIDE
500332-850	KNEE LIFTER ROCK SHAFT HUB PINCH SCREW (2)	502646	OIL PUMP SCREW SHAFT
500361-850	BOBBIN WINDER SHAFT BUSHING (ECCENTRIC) THREAD GUARD FASTENING SCREW (2)	502647-002	OIL RETURN TUBE UPPER (SHORT)
500365-850	KNIFE SET SCREW	502648-002	OIL RETURN TUBE LOWER (LONG)
500367-850	NEEDLE POSITION ADJUSTING ECCENTRIC STOP SCREW (2)	502650-002	OIL SIGHT BODY AND WICK WITH 502651
500376-850	KNIFE INSERT SCREW (2)	502651	OIL SIGHT WICK
500371-850	THROAT PLATE INSERT SCREW (OVAL HEAD) (2)	502653	PRESSER BAR SPRING
500372-850	KNIFE DRIVING COVER PLATE SCREW (OVAL HEAD) (2)	502654	PRETENSION BRACKET
500375-850	QUILTER GUIDE SCREW (FILLISTER HEAD)	502655	ROTARY TAKE-UP
500372-850	KNIFE DESCENDING LEVER ADJUSTING SCREW	502656	ROTARY TAKE-UP GUARD
500785-850	KNEE LIFTER CONTROL SHAFT CRANK STOP SCREW NUT	502657	ROTARY TAKE-UP GUARD COVER
500798-819	TRIPPING SEGMENT BEARING NUT	502658	PRETENSION BRACKET CPL. 210958, 210993, 272208, 272209, 502699
502505	ARM HEAD OIL DRAIN WICK CLAMP (FRONT)	502659	ROTARY TAKE-UP MOUNTING DISC
502506	OIL PUMP DRIVING GEAR	502660-002	TENSION RELEASE
502508	ARM SHAFT CONNECTION BELT	502661-002	TENSION RELEASE CPL. 1747, 500259, 502660-002
502509	ARM SHAFT CONNECTION BELT PULLEY	502662	TENSION RELEASE SPRING
502510	ARM SHAFT OIL SHIELD	502663	TENSION CPL. 1560, 270086, 272218, 272219, 272221, 276225, 502668, 502698 AND TWO 202079
502511-002	ARM SHAFT OIL SLINGER AND PINION SPACER	502665	THREAD GUIDE (FRONT OF ARM)
502515	BED SHAFT BUSHING (FRONT)	502666	THREAD PULL OFF
502516	BED SHAFT BUSHING OIL WICK	502667	THREAD RETAINER
502517	BED CONNECTION BELT PULLEY	502668	THREAD TAKE-UP SPRING
502518-002	BED CONNECTION BELT PULLEY SPACER	502669	THREAD TAKE-UP SPRING REGULATOR
502519	BED SHAFT GEAR	502670	THREAD CUTTER ON ROTARY TAKE-UP GUARD
502521	BED SHAFT GEAR BOX COVER GASKET	502672	NEEDLE BAR YOKE BEARING (BACK)
502526	BOBBIN #1-2	502674	NEEDLE BAR YOKE BEARING (FRONT)
502527	BOBBIN CASE BASE	502676	HOOK SHAFT PRESSURE BUSHING CPL. 502581, 502582
502528	BOBBIN CASE CAP	502677	HOOK SHAFT WITH OIL FILTER CPL. 271808, 276236, 502568, 502928, 502958
502529	BOBBIN CASE LATCH CPL. 210735, 210913, 502717	502679	KNEE LIFTER ROCK FRAME HINGE STUD PIN
502530	BOBBIN CASE CAP CPL. 200964, 210736, 502529, 502716	502681-002	ARM SHAFT CPL. 1259, 140172, 502723-002
502531	BOBBIN CASE CPL. 502527, 502530	502682	ARM SHAFT CONNECTION BELT PULLEY CPL. 214206, 500272, 500274, 502509
502532	HOOK BODY CPL. 502563	502687-002	NEEDLE BAR YOKE WITH OIL FELT CPL. 502594, 502608, 502688-002
502533	HOOK DRIVING SHAFT BUSHING OIL WICK	502688-002	NEEDLE BAR YOKE
502534	HOOK AND BOBBIN CASE CPL. 502531, 502562	502693	NEEDLE BAR CONNECTING STUD CPL. 500251, 502602, 502603
502536	BOBBIN CASE STOP	502694	NEEDLE BAR CRANK STUD CPL. 270161, 502607
502537	FACE PLATE	502696	PRESSER BAR POSITION GUIDE CPL. 51369, 502645
502538	HOOK GIB	502698	THREAD TAKE-UP SPRING REGULATOR CPL. 50305, 502669
502539-002	HOOK NEEDLE GUARD COUNTERBALANCE	502699	PRETENSION BRACKET CPL. 460, 502654
502541	FEED BAR HINGE PIN	502702	OIL PUMP GEAR CPL. 502644, TWO 50311
502542	FEED BAR HINGE PIN OILING FELT	502703	BED SHAFT BUSHING (FRONT) CPL. 502515, 502516
502543	FEED BAR HINGE PIN OILING FELT CLAMP	502704	BED CONNECTION BELT PULLEY CPL. 502517, TWO 500319
502544	FEED BAR HINGE PIN THRUST WASHER (2)	502705	OIL PUMP DRIVING GEAR CPL. 502506, TWO 1258
502545	FEED BAR LIFTING LINK	502710	FEED DRIVING ROCK SHAFT CRANK CPL. 502559, TWO 624
502546	FEED BAR LIFTING LINK HINGE PIN	502712	BED SHAFT GEAR CPL. 502519, TWO 1259
502558	FEED DRIVING ROCK SHAFT BUSHING (BACK)	502713	HOOK DRIVING SHAFT BUSHING CPL. 502533, 502566
502559	FEED DRIVING ROCK SHAFT CRANK WITH 500257	502714	HOOK DRIVING SHAFT HELICAL BEVEL GEAR CPL. 502567, TWO 1259
502560-002	FEED DRIVING ROCK SHAFT OIL WICK	502715	HOOK SHAFT BEVEL GEAR CPL. 502569, TWO 1259
502562	HOOK CPL. 141507, 502532, 502538, 502539-002, 502563, TWO 500306, THREE 141525	502716	BOBBIN CASE CAP CPL. 200592, 201016, 502528, 508530
502563	HOOK OIL RETAINING WASHER	502717	BOBBIN CASE LATCH LEVER
502565	HOOK DRIVING SHAFT	502720	KNEE LIFTER ROCK SHAFT HUB CPL. 502591, TWO 500332
502566	HOOK DRIVING SHAFT BUSHING	502723-002	ARM SHAFT WITH NEEDLE BAR CRANK WITH 502927
502567	HOOK DRIVING SHAFT HELICAL GEAR	502736	NEEDLE VIBRATING ADJUSTING BRACKET CPL. 502775, 502778, 502780, TWO EACH 502776, 502793
502568	HOOK SHAFT	502744	KNIFE DESCENDING LEVER LOCK WASHER (2)
502569	HOOK SHAFT BEVEL GEAR	502751	NEEDLE VIBRATING ECCENTRIC SHAFT BUSHING (BACK) PLUG
502572	HOOK SHAFT BUSHING CAP GASKET	502752	BED SHAFT PLUG
502573	HOOK SHAFT GEAR BOX COVER		
502574	HOOK SHAFT GEAR BOX GASKET		
502575	HOOK SHAFT GEAR BOX OIL PIPE		
502576-002	HOOK SHAFT GEAR BOX OIL TUBE		
502577	NEEDLE VIBRATING ECCENTRIC SHAFT BUSHING (FRONT) SET SCREW PLUG		

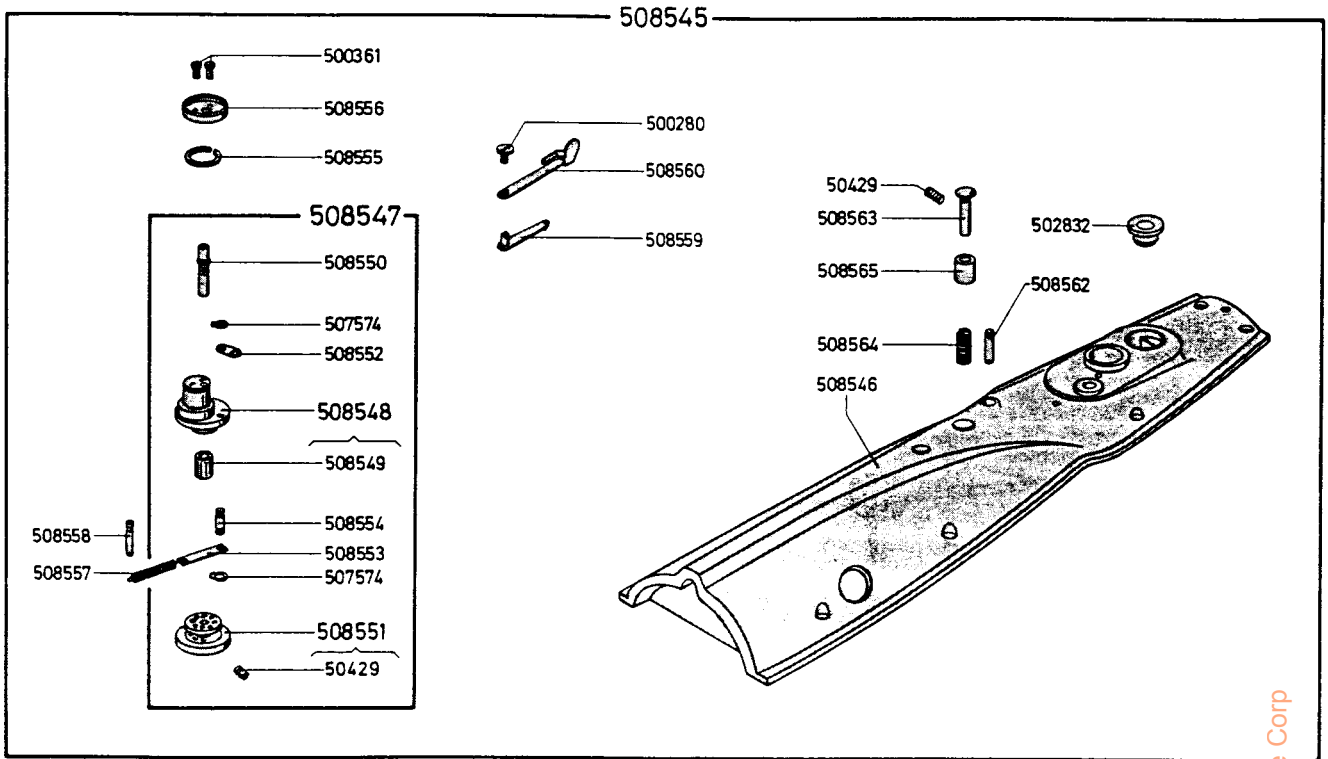
From the library of: Diamond Needle Corp



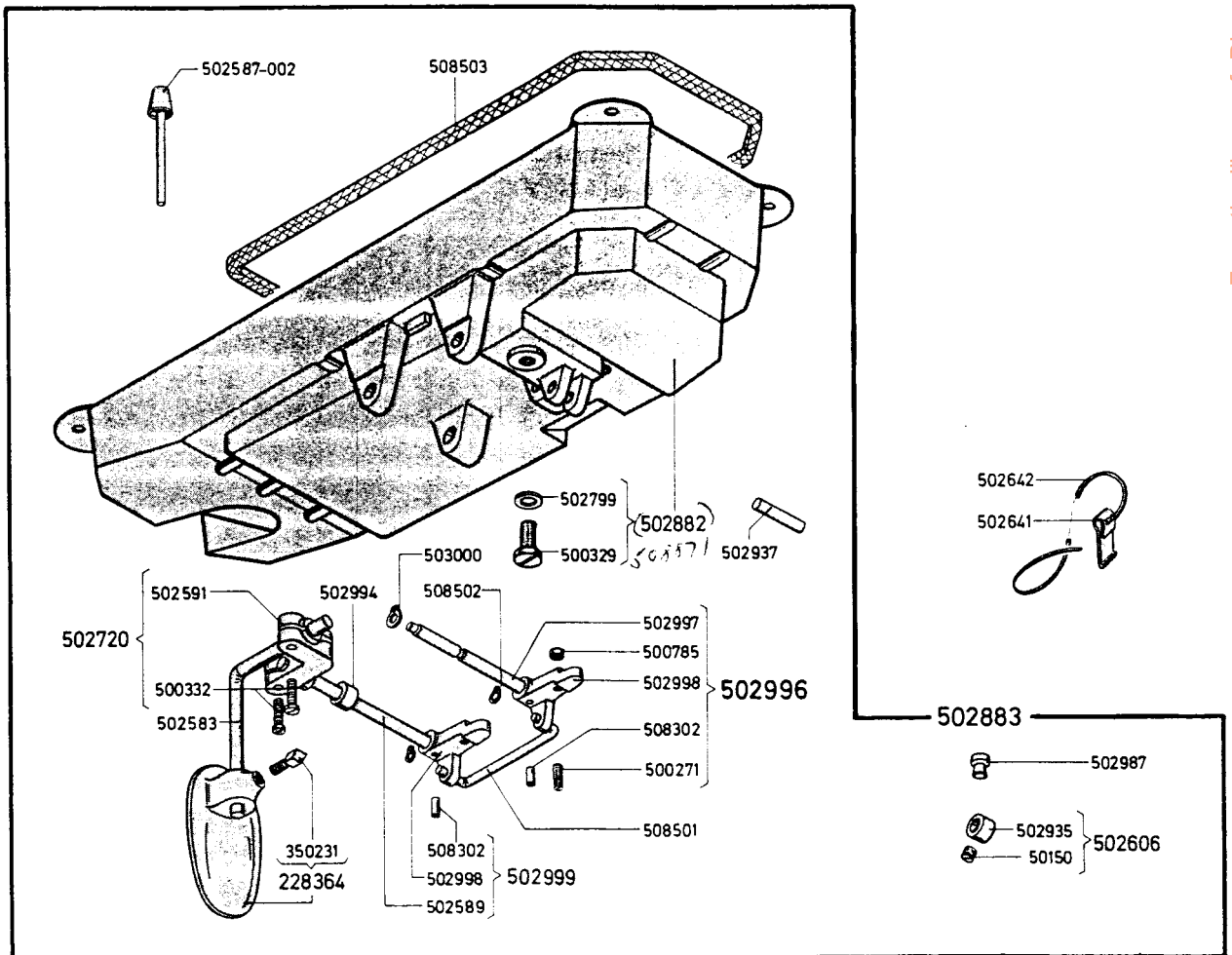
From the library of: Diamond Needle Corp

THE SINGER COMPANY
 Copyright © 1968 by THE SINGER COMPANY
 Printed in Western Germany

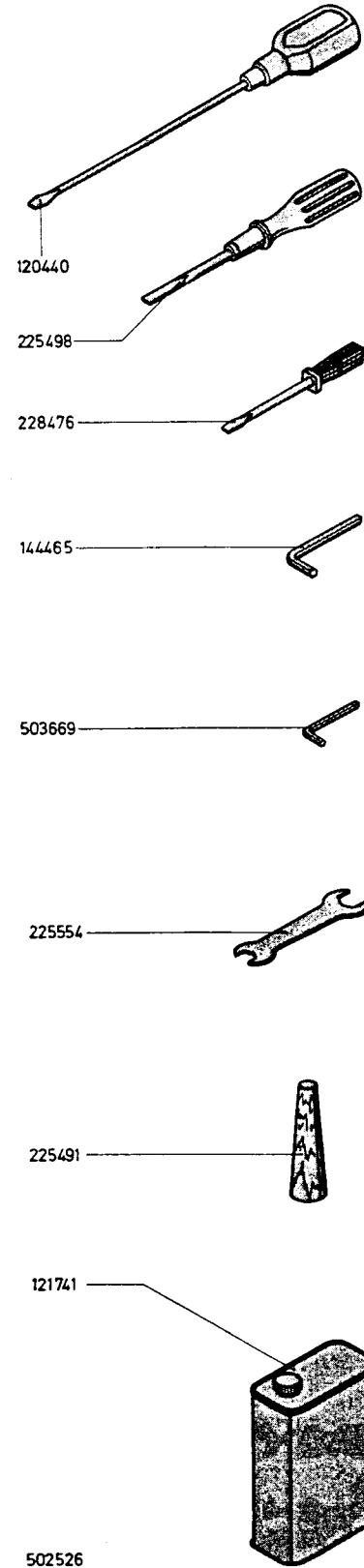
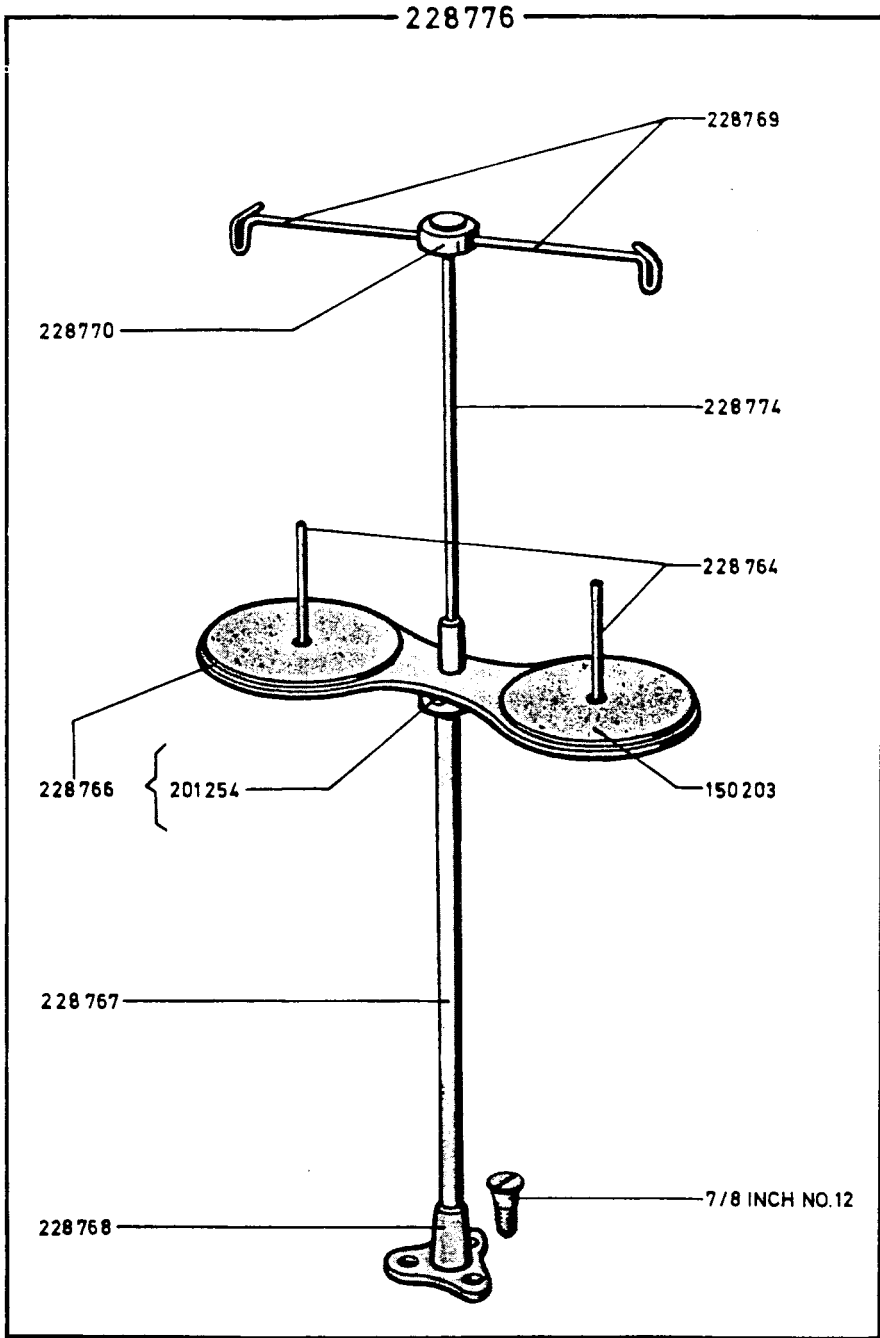
PART NO.	DESCRIPTION	PART NO.	DESCRIPTION
NO. 12	THREAD UNWINDER WOOD SCREW 7/8 INCH: (3)	140346-833	KNIFE DRIVING COVER PLATE SUPPORT SET SCREW
000061-850	ROTARY TAKE-UP GUARD HINGE SCREW	140346-833	FEED DRIVING CONNECTION CARRIER FRAME BEARING STUD SET SCREW (RIGHT) (2)
000086-850	KNEE LIFTER LIFTING LINK SCREW	140753-850	STITCH LENGTH INDICATOR PLATE SCREW (2)
000129-850	FEED REGULATING SHAFT INDICATOR LEVER PINCH SCREW	141507-806	HOOK NEEDLE GUARD AND COUNTERBALANCE SCREW
000160-850	ARM COVER (FRONT) SCREW (3)	141525-806	HOOK GIB SCREW (3)
000160-850	NEEDLE BAR YOKE CONNECTING LINK HINGE BEARING PINCH SCREW	141566-833	MACHINE PULLEY POSITION SCREW
000160-850	NEEDLE POSITION ADJUSTING ECCENTRIC SLIDE BLOCK BRACKET SCREW (2)	141567-833	MACHINE PULLEY SET SCREW
000160-850	FEED REGULATING CONNECTION SHAFT CRANK PINCH SCREW	143014	HOOK DRIVING SHAFT BEVEL GEAR CPL. TWO 1259
000171-803	KNIFE REGULATING CONNECTION SHAFT CRANK PINCH SCREW	144465	WRENCH (1/8 INCH HEXAGON)
000176-850	ATTACHMENT SCREW	150203	THREAD UNWINDER SPOOL REST CUSHION (FELT) (2)
000176-850	ROTARY TAKE-UP COVER WINDOW SCREW	182514-819	THREAD CUTTER (ON FACE PLATE) ADJUSTING SCREW NUT
000190-850	BOBBIN CASE STOP SCREW	183129-819	THROAT PLATE SCREW (OVAL HEAD) (2)
000199-850	KNEE LIFTER ROCK FRAME HINGE STUD LOCK SCREW	200113-850	KNEE LIFTER LIFTING ROD COLLAR SET SCREW
000201-803	OIL SIGHT BODY SCREW (2)	200393-833	FEED DRIVING ROCK SHAFT COLLAR SET SCREW (4)
000207-803	ARM HEAD OIL DRAIN WICK CLAMP SCREW (2)	200592-803	BOBBIN CASE CAP TENSION SPRING SCREW
000223-850	NEEDLE SET SCREW	200964-803	BOBBIN CASE LATCH STOP SCREW
000237-833	THREAD CUTTER (ON ROTARY TAKE-UP GUARD) SCREW	201016-803	BOBBIN CASE CAP TENSION SPRING REGULATING SCREW
000238-850	NEEDLE BAR THREAD GUIDE SET SCREW	201254-803	THREAD UNWINDER SPOOL REST SET SCREW
000449-830	KNIFE DRIVING ECCENTRIC SCREW	202079	TENSION FELT WASHER (2)
000449-830	FEED DRIVING ECCENTRIC SET SCREW	203244	FEED DRIVING ROCK SHAFT COLLAR (2) WITH TWO EACH 200393
000457-830	HOOK OIL BYPASS PLUG SCREW	210735	BOBBIN CASE LATCH FULCRUM PIN
000460-833	ARM SHAFT OIL SLINGER AND PINION SET SCREW	210736	BOBBIN CASE LATCH SPRING
000460-833	PRETENSION BRACKET SCREW	210913	BOBBIN CASE LATCH
000460-833	THREAD PULL OFF SET SCREW	210958	PRETENSION BRACKET COLLAR
000624-833	NEEDLE BAR YOKE CONNECTING LINK CARRIER FRAME SLIDE STUD SET SCREW	210993	PRETENSION BRACKET SLEEVE
000624-833	FEED BAR HINGE PIN SET SCREW (2)	214206	ARM SHAFT CONNECTION BELT PULLEY SPRING FLANGE
000690-850	NEEDLE VIBRATING ADJUSTING SHAFT CLAMPING BRACKET PINCH SCREW	225491	MACHINE REST PIN (WOOD)
000690-850	KNIFE REGULATING STOP PLATE SCREW	225498	SCREW DRIVER
000691-833	QUILTER GUIDE SCREW (OVAL HEAD)	225554	WRENCH
000792-850	NEEDLE POSITION ADJUSTING LEVER SCREW (2)	227227	KNEE LIFTER LIFTING ROD COLLAR CPL. 200113
000858-833	KNIFE DRIVING SHAFT (HOLLOW) BUSHING SET SCREW	228364	KNEE LIFTER KNEE PLATE CPL. 350251
000858-833	BED SHAFT BUSHING (FRONT, CENTER, BACK) SET SCREW (3)	228476	SCREW DRIVER (BOBBIN CASE)
000858-833	HOOK DRIVING SHAFT BUSHING SET SCREW	228764	THREAD UNWINDER SPOOL PIN (2)
000858-833	HOOK SHAFT PRESSURE BUSHING SET SCREW	228766	THREAD UNWINDER SPOOL REST WITH 201254
000906-830	KNIFE DRIVING PITMAN SET SCREW	228767	THREAD UNWINDER SPOOL REST ROD
000996-833	OIL RETURN TUBE SCREW	228768	THREAD UNWINDER SPOOL STAND
001147-850	NEEDLE VIBRATING ADJUSTING GUIDE CRANK SET SCREW	228769	THREAD UNWINDER THREAD GUIDE (2)
001177-850	FEED DRIVING CONNECTION CRANK PINCH SCREW	228770	THREAD UNWINDER THREAD GUIDE HOLDER
001185-850	NEEDLE VIBRATING MECHANISM COLLAR SET SCREW (2)	228774	THREAD UNWINDER THREAD GUIDE ROD
001186-850	OIL PUMP MOUNTING SCREW (2)	228776	THREAD UNWINDER CPL. (FOR TWO SPOOLS) 228766, 228767, 228768, 228770, 228774, TWO EACH 150203, 228764, 228765 AND THREE WOOD SCREWS
001186-850	KNIFE DESCENDING PINCH LEVER SCREW	230743-803	ROTARY TAKE-UP GUARD HINGE SCREW THRUST WASHER
001258-830	OIL PUMP DRIVING GEAR SET SCREW (2)	267411	KNIFE DRIVING PITMAN CONNECTION SHAFT OIL WICK
001259-830	NEEDLE BAR CRANK STUD POSITION SCREW	267411	KNIFE DRIVING CONNECTION LINK OIL WICK
001259-830	BED SHAFT GEAR SET SCREW (2)	270086	KNIFE DRIVING SHAFT (HOLLOW) LEVER STUD WICK
001259-830	HOOK DRIVING SHAFT HELICAL GEAR SET SCREW (2)	270161	TENSION RELEASING PIN
001259-830	HOOK DRIVING SHAFT BEVEL GEAR SET SCREW (2)	270266	NEEDLE BAR CRANK STUD PIN
001259-830	HOOK SHAFT BEVEL GEAR SET SCREW (2)	271808	NEEDLE BAR CONNECTING LINK NEEDLE BEARING
001349-850	PRESSER BAR LIFTER HINGE SCREW	272128	HOOK SHAFT OIL FILTER WICK HOLDER SEAL
001454-850	ROTARY TAKE-UP GUARD SCREW, SHORT	272142	ROTARY TAKE-UP GUARD COVER WINDOW
001472-850	HOOK SHAFT BUSHING (FRONT) SET SCREW (3)	272143	ARM SHAFT BALL BEARING
001485-850	ROTARY TAKE-UP GUARD SCREW, LONG	272144	ARM SHAFT BALL BEARING
001529-850	ROTARY TAKE-UP GUARD COVER SPRING CATCH SCREW NUT	272208	BED SHAFT BALL BEARING
001560-850	TENSION THUMB NUT	272209	PRETENSION BRACKET SPRING
001654-850	THREAD RETAINER LOCK NUT	272218	PRETENSION BRACKET STUD
001706-850	HOOK OIL REGULATING SCREW NUT	272218	TENSION RELEASING DISC
001735-850	KNIFE DESCENDING LEVER ADJUSTING SCREW NUT	272219	TENSION SPRING
001747-850	TENSION RELEASER ADJUSTING SCREW LOCK NUT	272221	TENSION WHEEL CPL.
1906-12-1	NEEDLE (1-3)	276025	PRESSER BAR BALL
012361	MACHINE HINGE CONNECTION (2)	276027	PRESSER BAR LIFTER
050150-833	FEED REVERSING FOOT CONTROL LEVER PIN COLLAR SET SCREW	276051	THREAD GUIDE ON FACE PLATE
050305-850	THREAD TAKE-UP SPRING REGULATOR SET SCREW	276114	NEEDLE BAR CONNECTING LINK THRUST WASHER
050311-830	OIL PUMP GEAR SET SCREW (2)	276225	TENSION STUD
050429-833	ARM COVER (TOP) THREAD TENSION STUD PIN	276236	HOOK SHAFT OIL FILTER WICK HOLDER
050429-833	BOBBIN WINDER DRIVING WHEEL SCREW (2)	276508	ROTARY TAKE-UP GUARD SPRING CATCH
050429-833	BOBBIN WINDER SHAFT FRICTION WHEEL PIN (2)	350231-850	KNEE LIFTER KNEE PLATE SET SCREW
050429-833	PRETENSION BRACKET SCREW	500067-830	NEEDLE POSITION ADJUSTING ECCENTRIC STOP SCREW SET SCREW (2)
050429-833	THREAD CUTTER (ON FACE PLATE) ADJUSTING SCREW	500104-850	ARM OIL SHIELD (AERATED PLASTIC) RETAINER SCREW (2)
050578-850	FEED BAR LIFTING LINK HINGE PIN PINCH SCREW	500115-850	OIL DISTRIBUTOR PLATE SCREW
050624-830	FEED DOG SCREW (2)	500212-833	FEED DRIVING CONNECTION CARRIER FRAME BEARING STUD (LEFT) SET SCREW
051334-830	KNIFE REGULATING SHAFT COLLAR SET SCREW	500244-850	ROTARY TAKE-UP SCREW (2)
051334-830	KNIFE DRIVING SHAFT (HOLLOW) COLLAR SET SCREW	500245-805	BED SHAFT GEAR BOX OVERFLOW AND DRAIN PLUG SCREW
051334-830	FEED REGULATING CONNECTION SHAFT COLLAR SET SCREW (2)	500246-850	THREAD GUIDE SCREW (2)
051369-850	NEEDLE VIBRATING ADJUSTING CRANK PINCH SCREW	500246-850	FACE PLATE SCREW (8)
051369-850	NEEDLE BAR CONNECTING STUD GUIDE BLOCK SCREW (2)	500246-850	ROTARY TAKE-UP GUARD SPRING CATCH SCREW
051369-850	NEEDLE BAR CONNECTING LINK CLAMPING PLATE SCREW (2)	500247-833	HOOK OIL REGULATING SCREW
051369-850	PRESSER BAR POSITION GUIDE PINCH SCREW	500250-850	KNIFE DRIVING COVER PLATE SCREW (2)
051369-850	KNIFE REGULATING FRAME SCREW	500250-850	MACHINE LEG SCREW (2)
051369-850	FEED DRIVING CONNECTION CARRIER FRAME SLIDE STUD SET SCREW	500251-850	NEEDLE BAR CONNECTING STUD PINCH SCREW
051388-850	FEED BAR LIFTING LINK HINGE PIN CAP SCREW	500252-830	NEEDLE POSITION ADJUSTING ECCENTRIC SET SCREW
051775-850	NEEDLE VIBRATING ADJUSTING LEVER STOP SCREW NUT (2)	500256-850	PRESSER FOOT SCREW
120440	SCREW DRIVER	500257-850	FEED DRIVING ROCK SHAFT CRANK PINCH SCREW
121741	ONE QUART CAN FILLED WITH LIGHT GRADE OIL	500259-803	TENSION RELEASER ADJUSTING SCREW
140145-803	KNEE LIFTER ROCK FRAME HINGE SCREW	500260-830	PRESSER BAR SPRING SCREW
140172-850	NEEDLE BAR CRANK STUD PINCH SCREW	500261-850	PRESSER BAR SPRING SCREW STUD
		500262-833	THREAD CUTTER (ON FACE PLATE) SCREW
		500262-833	THREAD GUIDE (ON FACE PLATE) SCREW
		500263-850	FEED DRIVING CONNECTION CARRIER FRAME STOP SCREW (2)
		500263-850	HOOK SHAFT GEAR BOX COVER SCREW (4)
		500263-850	BED SHAFT GEAR BOX COVER SCREW (6)
		500264-830	HOOK SHAFT BUSHING (FRONT) SET SCREW
		500265-833	THREAD REGULATOR SET SCREW
		500267-850	ARM COVER (TOP) SCREW (LONG) (2)



ACCESSORIES



ACCESSORIES



1906-12-1

503720

12361

176

231337

289

502526

